



# COFFEE DISTRIBUTING CORP.

www.cdccoffee.com



## FRESH CUP AUTO EJECT POD BREWING SYSTEM

### FREEDOM OF CHOICE

Choose from up to three programmable taste profiles (mild, medium or bold) or volume settings (small, medium large).

### PERFECTLY BREWED COFFEE

Enjoy the benefits of Fresh Cup's unmatched brewing capability. Easily develop your brewing parameters for your POD size (56mm or 61mm) and weight (up to 16 grams) through simple programming of Pre-infusion, pulse brewing, volume and contact time. Fresh Cup's brew mechanism is designed so the POD lays perfectly flat promoting even extraction of the bed of coffee.

### BUILT TO LAST

Fresh Cup was designed with the roaster/operator in mind. High quality, rugged construction that can withstand the rigors of everyday use.

### OPERATOR CONVENIENCE

Built in features that add value to your operation and the customer experience:

- On touch brew activation
- Back to back brew cycles without reheat delays.
- Easy access spent POD and drip tray with automatic POD counter reset.
- Hot water dispense button for allied products.

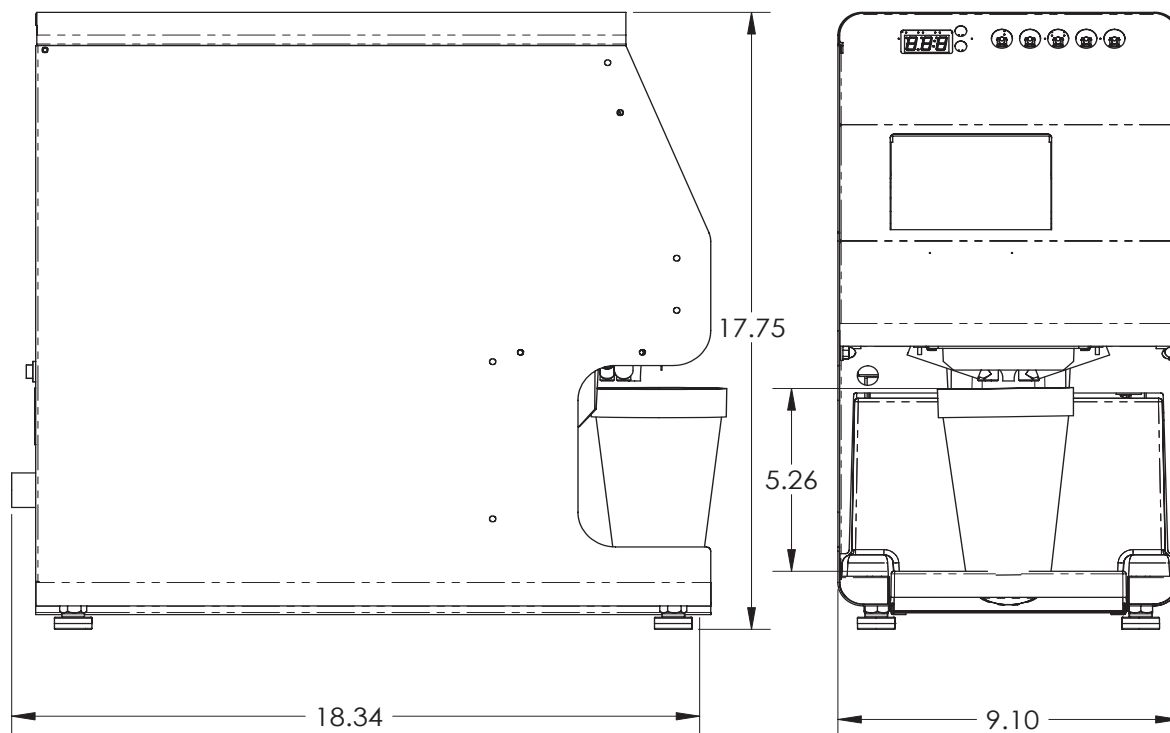
### SERVICEABILITY

Quickly and easily remove the brewing mechanism and heating system from the cabinet for service and repair. In addition, Fresh Cup provides:

- Error codes for "heads up" serviceability
- Replaceable independent Newco parts
- New Anti corrosive tank coating - eliminates lime build up.



# FRESH CUP AUTO EJECT POD BREWING SYSTEM



	Volts	Watts	Amps
USA	120	1700	14.2
Canada	120	1400	11.6

## PLUG AND PLAY OPERATION

Simply connect the Fresh Cup to a water and electrical line and the initial setup routine will fill the tank and then safely turn on the heater.

## ENERGY SMART

Choose from three different power modes to conserve energy during periods of non use: power on, power save and power down.

## CUSTOM BRANDING

Fresh Cup's entire front can be custom branded with your image helping you to promote your brand and services.