



One bean hopper, holds up to 3 lbs. Two instant soluble canisters, hold up to 2 lbs. each.



NSF certified soluble canisters; easy to remove, disassemble and re-assemble for a complete and thorough cleaning.



The Segó's exclusive rotational brewer creates the perfect shot of espresso, while needing minimal maintenance.



Mixing chambers and other critical plastic components are infused with a Teflon™ polymer to reduce powder caking.



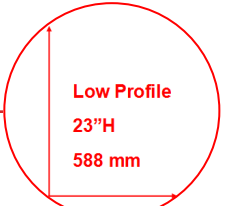
Program up to 30 drinks, design custom screen-savers and drink images, and copy it all to the next machine via USB.



Valve-less brew system (V.B.S.); reduces lime and scale related issues.



Smudge and finger print resistant black stainless steel finish.



Low profile and footprint allows for easier placements.



Bravilor Bonamat's Segó Series is a self-serve, whole bean, single cup Espresso brewer. Designed to meet the demand for fresh, high-quality drinks such as Espresso, Americano, Cappuccinos, Cafe Mocha, Hot Chocolates, Cafe au Lait, Latte Machiato and more, while being simple to operate in environments like offices, hotels, car dealerships and lounges. The Segó's low profile allows for easier placement in tighter kitchens and pantries. The Segó's attractive price point opens up a world of opportunities for locations with a lower coffee consumption rate where an operator can't normally justify its return on investment.



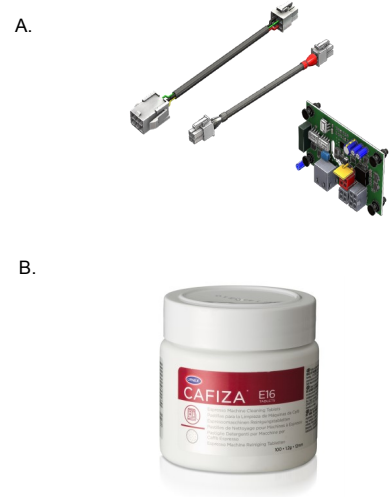
Shown open: Grinder (1), Whole bean hopper (1); holds up to 3 lbs., Soluble canisters (2); hold up to 2 lbs. each.



The Sego is revolutionary in its simplicity.

The Sego's Rotational Brewer is compact, easily accessible, dissembled and cleaned in seconds.

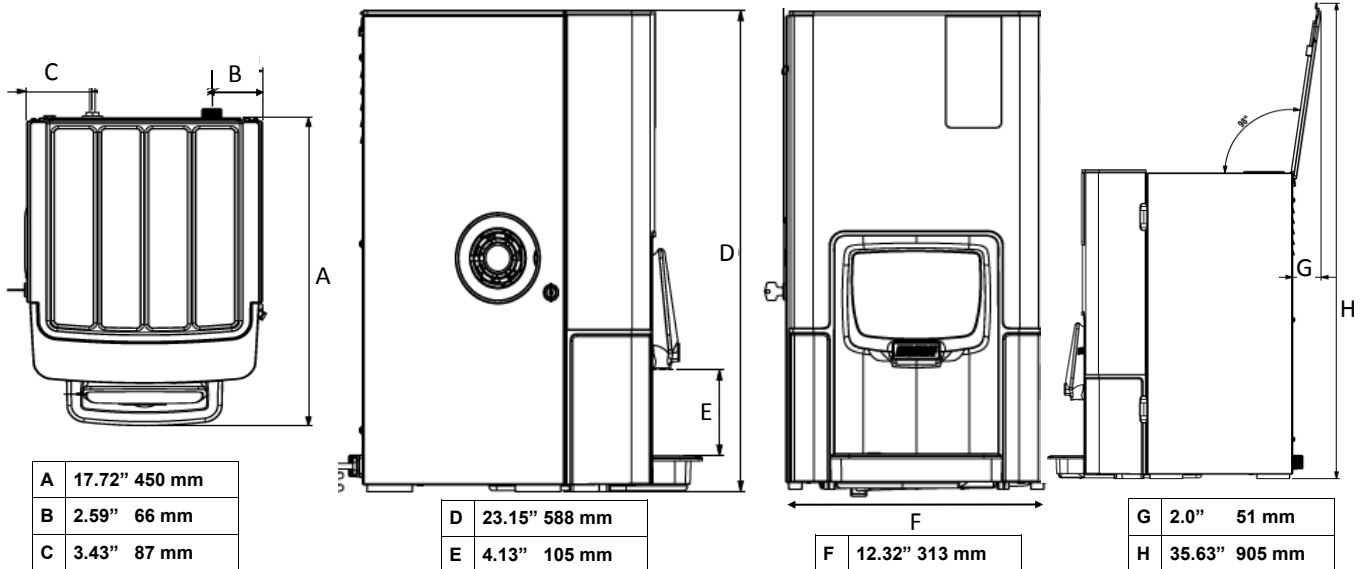
To program your perfect espresso, set the grind to spec, determine your gram throw, choose your contact time and the Sego is ready to brew. It's as simple as that.



ACCESSORIES

A. MDB SERVICE KIT	Kit contains an interface that allows the Sego to communicate with all MDB payments systems.
B. CLEANING TABLETS	1 jar contains 100 tablets of 1.2 grams (each).

SPECIFICATIONS



DIMENSIONS (HxWxD)	VOLTS	AMPS	WATTS	SINGLE SHOTS PER HOUR	AVERAGE DISPENSE TIME	CUP CLEARANCE
23.15" x 12.32" x 17.72" / 588 x 313 x 450 mm	120	15	—	120-150	25 SEC./SHOT	4.17" / 106mm
WATER CONNECTOR	WATER PRESSURE (min.)	STANDARD BEANS CAPACITY	STANDARD SOLUBLE CAPACITY	SHIPPING WEIGHT	NET WEIGHT	
3/4" MALE FILTERED WATER	14.5 PSI (1 BAR) MIN.	1 X 3 LBS. / 1 X 1.2 KG	2 X 1.5-2 LBS. / 2 X 1.3 LITRES	60.6 LBS. / 27.5 KG	55.1 LBS. / 25 KG	



Certified to NSF/ANSI 372

