

# CWTF-TWIN-APS

Height: 24.0" Width: 16.0" Depth: 22.5"  
(61.0cm) (40.6cm) (57.2cm)



- Digital timer enables users to make brew cycle adjustments from the front panel
- Airpots are easily transported to remote meeting rooms, breakfast bars, etc
- Brews directly into 1.9 to 3L airpots
- Convenient airpot keeps coffee hot and fresh for hours
- Hot water faucet
- Pourover feature
- SplashGard® funnel deflects hot liquids away from the hand
- Twin brew head system
- Servers not included unless otherwise noted

Agency:

KUCAS



## Specifications

**Product #:** 23400.0044

**Faucet:** Upper

**Water Access:** Plumbed

**Finish:** Stainless

**Funnel:** Gourmet Funnel

## Additional Features

## Electrical & Capacity

Volts*	Amps	Watts	Cord Attached	Plug Type	8oz cups/hr 236ml cups/hr	Input H <sub>2</sub> O Temp.	Phase	# Wires plus Ground	Hertz
220-240	23.0-25.5	5000-6100	No	-	240	60°F (15.5°C)	1	2	50/60

\*When a BUNN is machine rated 120/208-240V, 120/208V or 120/240V, the higher voltage is the supply voltage needed to power the machine. The 120V is there to supply power to some components rated 120V in the machine, but it is not the supply voltage and would not power the machine if the machine is marked with the before mentioned ratings.

## Plumbing Requirements

PSI	kPa	Fitting Supplied	Water Flow Required (GPM)
20-90	138-621	3/8" Male Flare Fitting	-

## CAD Drawings

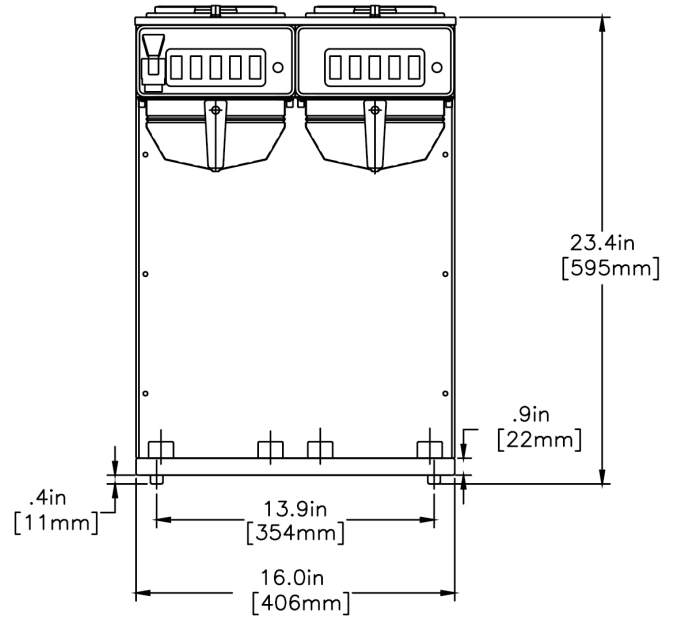
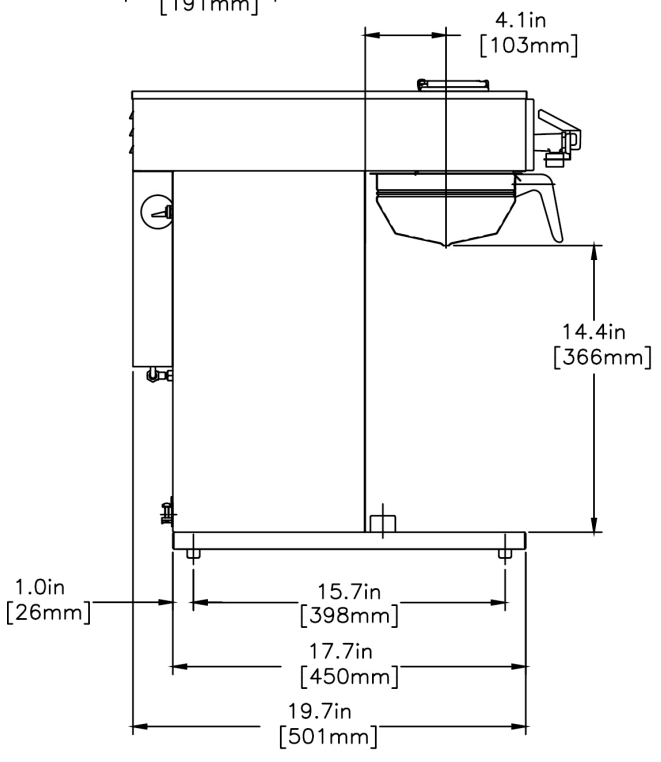
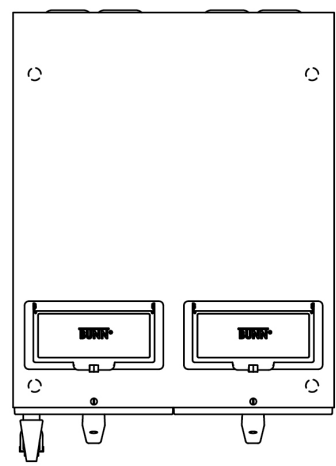
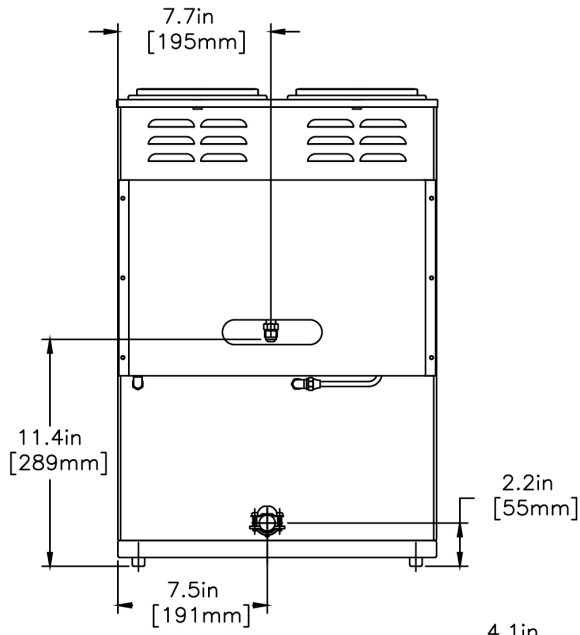
2D	Revit	KLC
●		

**WARNING:**



**Coffee Distributing Co.**  
200 Broadway Garden City Park, NY 11040  
Tel: 516-746-4010  
www.cdccoffee.com





	Unit			Shipping				
	Height	Width	Depth	Height	Width	Depth	Weight	Volume
English	24.0 in.	16.0 in.	22.5 in.	28.5 in.	19.9 in.	25.8 in.	64.000 lbs	7.684 ft <sup>3</sup>
Metric	61.0 cm	40.6 cm	57.2 cm	72.4 cm	50.5 cm	65.5 cm	29.030 kgs	0.218 m <sup>3</sup>



**Coffee Distributing Co.**  
200 Broadway Garden City Park, NY 11040  
Tel: 516-746-4010  
www.cdccoffee.com



# Related Products & Accessories: CWTF-TWIN-APS(23400.0044)



FILTERS TEA/SYS2  
500PK/1 50/CL

Product #: 20100.0000



FILTERS,C GOURMET  
500/2 50/CL

Product #: 20157.0001



FUNNEL AY,W/DECAL  
GRT "C"7.12

Product #: 34559.0000



FUNNEL AY,W/DECAL  
GRT "C"7.62

Product #: 34559.0001



WATER FILTER,  
EQHP-10L

Product #: 39000.0001



WATER FILTER,  
EQHP-10

Product #: 39000.0004



SYSTEM, WQ-55(2)5L

Product #: 56000.0001



SYSTEM, WQ-55(2)5

Product #: 56000.0004



SYSTEM, WEQ-10(1.5)5L

Product #: 56000.0024



SYSTEM, WEQ-10(1.5)5

Product #: 56000.0027



CARTRIDGE, WQ-55(2)5L

Product #: 56000.0101



CARTRIDGE, WQ-55(2)5

Product #: 56000.0104



CARTRIDGE, WEQ-10  
(1.5)5L

Product #: 56000.0121



CARTRIDGE, WEQ-10  
(1.5)5

Product #: 56000.0122

# Serving & Holding Options: CWTF-TWIN-APS(23400.0044)



AIRPOT, 2.5L GL PB  
SINGLE PK

Product #:13041.0001



AIRPOT, 2.5L GL PB 6/  
CASE

Product #:13041.0101



AIRPOT, 2.2L GL PB  
SINGLE PK

Product #:28696.0002

NO IMAGE  
AVAILABLE

AIRPOT, 2.2L GL PB 6/  
CASE

Product #:28696.0006



AIRPOT, 2.5L SST LA  
SINGLE PK

Product #:32125.0000



AIRPOT, 2.5L SST LA 6/  
CASE

Product #:32125.0100



AIRPOT, 3.0L SST LA  
SINGLE PK

Product #:32130.0000



AIRPOT, 3.0L SST LA 6/  
CASE

Product #:32130.0100



AIRPOT, 2.2L GL LA 6/  
CASE

Product #:32700.0000



AIRPOT, 3.8L SST LA  
SINGLE PK

Product #:36725.0000



AIRPOT, 3.8L SST LA 6/  
CASE

Product #:36725.0100



AIRPOT, 2.2L SST LA  
SINGLE PK

Product #:44311.0000