

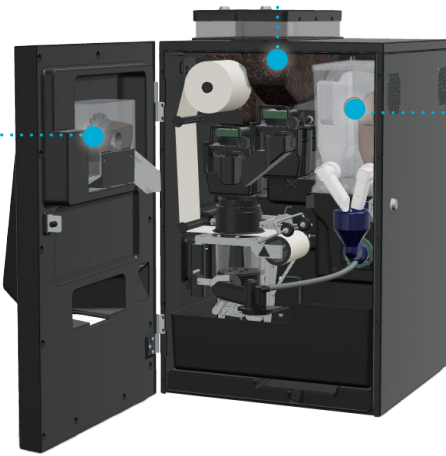
# SYMBOL



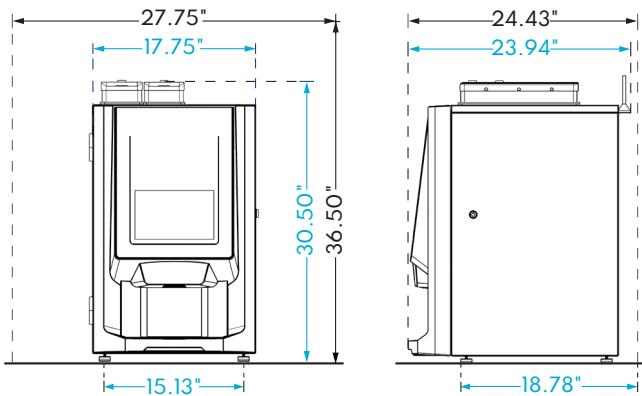
More Info

## CONFIGURATION

- 2 whole bean coffees
- Ground coffee
- 2 soluble ingredients  
Vanilla, Hot Chocolate, Milk or Chai



The Symbol is a modular machine and can be tailored to your exact needs.



## ACCESSORIES

- Hopper extensions
- Base cabinets
- Chute kit for coffee waste
- MDB compatible payment systems
- WiFi connectivity (USB dongle)

## TECHNOLOGY & DESIGN

- 10" HD touch screen
- Burr grinder for each bean hopper
- Compatible with Sophia
- ADA compliant ordering
- Cellular modem
- Sophia Touchless Solutions:  
Contactless ordering through a web-based application

## SPECIFICATIONS

Weight	105 lb
Electricity	120 V AC, 15 A, 60 Hz
Water Services	Plumbed or bottled
Water Tank Capacity	0.74 gal
Bean Hopper Capacity*	2.5 lb & 3.0 lb
Ground Coffee Canister Capacity*	0.9 lb
Soluble Canister Capacity*	3.0 lb each
Cup Sizes	3 to 16 oz
Cup Height	Max 5.5 inches
Brew Strengths	3
Branding Options	Video
Screen Customization Capabilities	Yes

\*Capacity may vary depending on the product used.

