

Cameo c'2m



True Espresso at a Touch.

The Eversys Cameo brings together the most advanced coffee machine technologies and authentic styles to create an all-round incredible coffee experience.

Ingeniously simple,
simply ingenious.



Sophisticated Design Modular build quality delivers easy service ability and sophisticated design.

Remote Management Simple management of the machine wherever you are via telemetry/LAN connection.

Barista Milk style Today's multiple milk recipes require variable milk textures. With Eversys' new Electronic Milk Texturing (EMT) system it is possible to create individual milk foams and textures.

Ease of Use Intuitive user interface and a fully automatic cleaning system.

High Performance High performance coffee machine with a high performance-volume ratio; 350 espresso shots per hour and ability to make 2 espressos simultaneously

Machine Specifications

Power

This machine requires access to 1 x 20amp plug socket on site.

Water

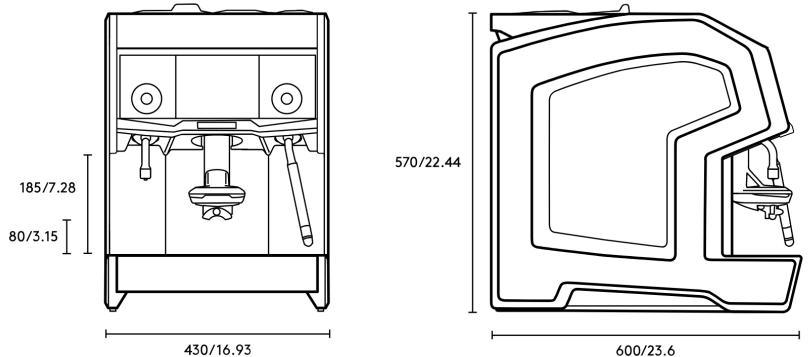
This machine requires a 15mm cold water feed with isolated stop valve, 3/4 inch-BSP screw fittings used (standard for washing machines). 1-3 BAR pressure is needed to run the machine. Very high/low pressure will need to be addressed prior to install with a pump fitted for low pressure and a regulator fitted for high pressure.

Filter

This machine will require a minimum of a BRITA C300 water filter (provided at time of install). Please make sure there is sufficient room for the filter next to the water supply

Waste

This machine requires 1½ inch down pipe.



Dimensions (mm):	W430	D600	D570
Weight Net Gross (kg):	60		
Power (AMPs):	15		
Largest Cup Weight:	16		
c'2m:	Coffee. Tea. Milk.		